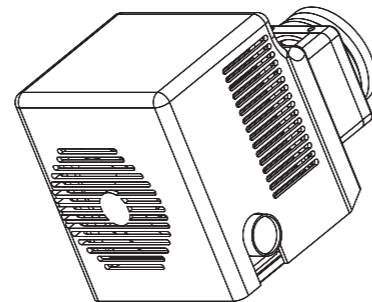
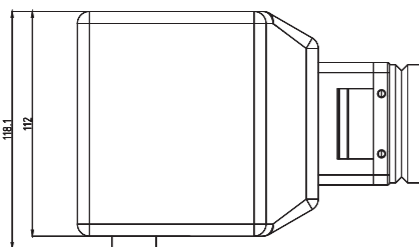
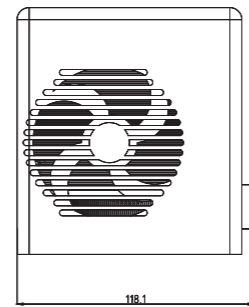
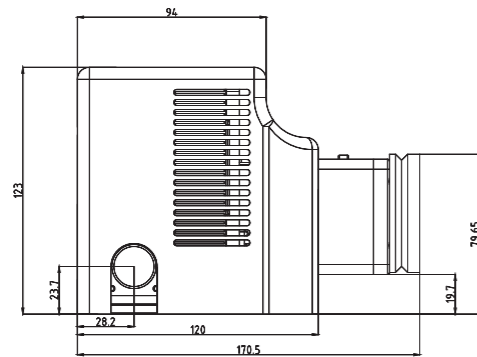


Specification

Item No.	MG30	MG-100
Excitation	Wavelength 350-760nm, brightness intensity is continuously adjustable	
Adapters	Microscope adapter to world famous brand microscopes	
Power supply	Max power consumption: 50W	Max power consumption: 120W
Conectivity	8P aviation connector plug	
Power line	Certified power line to customer-specified plug	

Dimension



Broad Spectrum LED light source

High power
Fluorescence excitation



Mshot

Micro-imaging System Supplier



Guangzhou Micro-shot Technology Co.,Ltd

Add : Rm 506, Lobby A, Vanke Cloud, 1933 Huaguan Road, Tianhe District, Guangzhou, 510640 China

WEB: www.m-shot.com TEL: 0086-20-38250606 EMAIL: sales@mshot.com

Features

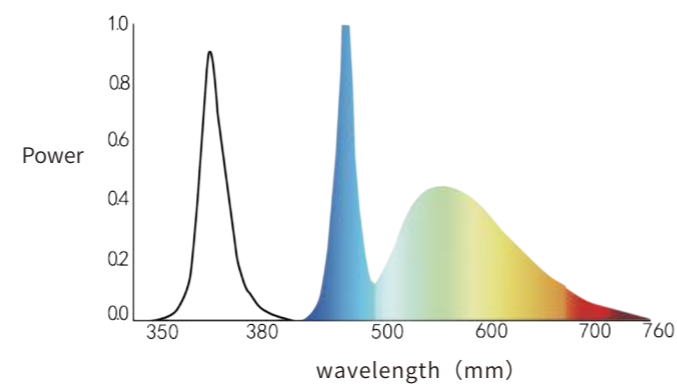
• Independent controller:

- Power supply and light source switch are separately controllable.
- Illumination of UV and visible light are independent, protecting user from ultraviolet.
- Remember last time brightness setting when restart light source by keeping power supply switch on.



• Brightness adjustable:

- Fit to different requirement of experiment.
- Overcome shortcoming of narrow spectrum of LED lamp.
- Each wavelength light intensity is continuously adjustable from 0 to Max. value.



Performance

• Fast response, long working life

- Instant ON/OFF, no need preheating or cooling.
- 20,000 working lifetime.

• Optical path can be changed:

- Through rolling lens group to change its position for imaging requirement with different optical path.



Mercury lamp:

- UV radiation
- Heavy thermal
- Preheating
- 400 hours lifetime



LED lamp:

- Stable lighting
- Cold light
- Instant ON/OFF
- 20000 hours lifetime

LED lamp VS Mercury lamp

Cases

• Work with Nikon microscope



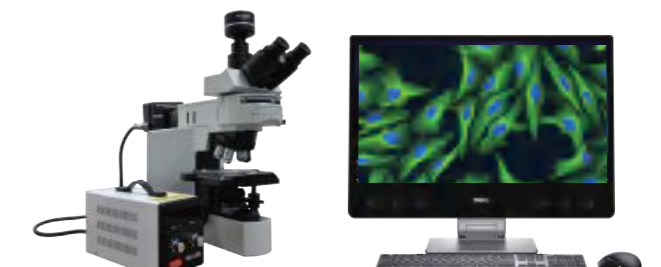
• Work with Zeiss microscope



• Work with Leica microscope



• Work with Olympus microscope



• Main excited fluorophores

