

MF Series LED Fluorescence Illuminator



MF series LED fluorescence illuminator features with built-in color LEDs as light source. Providing friendly fluorescence upgrade solution for basic fluorescence microscope users. By the modular illumination you can easily upgrade a traditional infinity upright biological microscope to fluorescence functional. It is compatible with laboratory microscopes Olympus, Nikon, Leica, Zeiss and others.

Features

- Compact design all in one unit
- 3W cold LED lamp for each filter group
- Continuously adjustable brightness with rotatable knob
- No need preheating or cooling, open to use
- Accurate lever control different color lighting
- One-stop operation of light source and filter, no need change light source
- No need external or added power supply, PSE labeled power adapter
- Safety, environment friendly and human friendly
- Coated precision-cast aluminium with vented design
- CE, FCC, EMC, EU, ISO certified

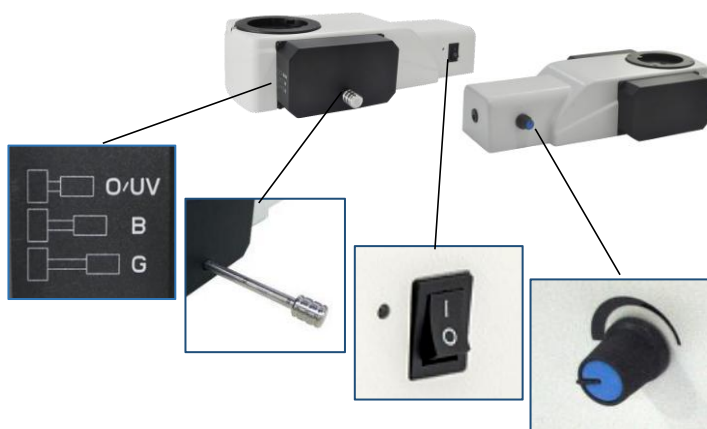
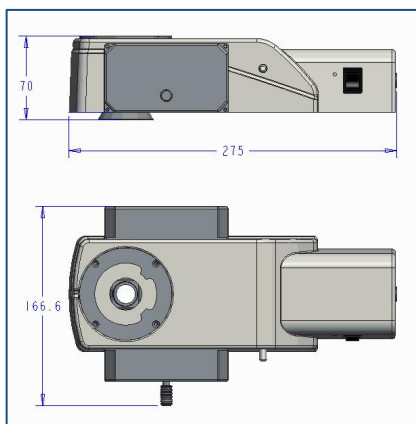
Applications:

- Botany
- Clinical diagnose
- Immunoofluorescence
- Tuberculosis sputum slide
- Skin and foot fungus
- Food microorganism
- Respiratory disease
- Sperm analysis
- Fluorochrome stained slide

Compatible with different brands microscope



Dimension



With light barrier

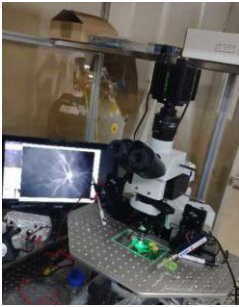


Items	LED lamps	Filter Groups	Compatible microscopes
MF-B-LED	Blue	Blue	Olympus CX/BX Nikon Eclips/E100/E200/Ci-L Leica DM500/DM750/DM1000 Zeiss PrimoStar Sunny EX31 Motic BA310
MF-RB-LED	Royal blue	Royal blue	
MF-G-LED	Green	Green	
MF-UV-LED	UV	UV	
MF-BG-LED	Blue and Green	Blue and Green	
MF-BU-LED	Blue and UV	Blue and UV	
MF-BGU-LED	Blue, green and UV	Blue, green and UV	

Specification

LED lamp		Filter wavelength			Recommend Application
Color	Central wavelength	Excitation	Dichroic mirror	Emission	
Blue	475nm	475/40nm	>500nm	535/45nm	GFP / FITC /EGFP/ Malaria diagnostic/ Alexa 488 / Cy2@ / Fluo-4 / FluorX@ / Fluoro-Jade
Royal blue	450nm	420-480nm	>500nm	510nmLP	Tuberculosis Diagnostic
Green	530nm	525/45nm	>560nm	595/60nm	PI / EB / EH
	560nm	560/40nm	>600nm	610nmLP	mCherry / Texas Red / AlexaFluor 594
UV	360nm	330-380nm	>400nm	420nmLP	DAPI / Hoechst 33342&33258 / AMCA/AMCA-X / Alexa 350
Light source		At least 3W LED cold lamp for each filter group			
Observation		Fluorescence Bright field & phase contrast by microscope original lighting			
Operation		Lever : B, G, UV/O (bright field)			
Power control		Rota-table knob, continuously adjustable brightness			
Input power		12V 2A			
Shell		High rigid precision-cast aluminium with coating			
Light baffle		Orange color plastic light baffle			
Remark*		Single excitation mode are long pass filter			
Optional Filters					
Color	Type	Excitation filter	Dichroic mirror	Emission filter	Remark
Blue	Long-pass	480/40nm	505nmLP	510nmLP	Chroma filters are optional
Green	Long-pass	530/40nm	570nmLP	590nmLP	
	Band-pass	560/40nm	600nmLP	635/60nm	
UV	Band-pass	350/50nm	>400nm	460/50nm	

Cases



Olympus BX51



Olympus CX43



Olympus CX41



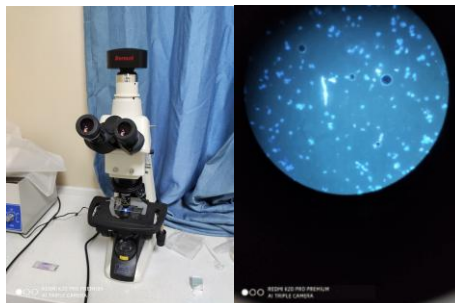
Olympus CX33



Olympus CX23



Nikon CiL



Nikon E200



Leica DM2000



Leica DM750



Leica DM500



Zeiss A1



PrimoStar

Sample images

