

## MF Series LED Fluorescence Illuminator



MF series LED fluorescence illuminator features with built-in color LEDs as light source. Providing friendly fluorescence upgrade solution for basic fluorescence microscope users. By the modular illumination you can easily upgrade a traditional infinity upright biological microscope to fluorescence functional. It is compatible with laboratory microscopes Olympus, Nikon, Leica, Zeiss and others.

### Features

- Compact design all in one unit
- 3W cold LED lamp for each filter group
- Continuously adjustable brightness with rotatable knob
- No need preheating or cooling, open to use
- Accurate lever control different color lighting
- One-stop operation of light source and filter, no need change light source
- No need external or added power supply, PSE labeled power adapter
- Safety, environment friendly and human friendly
- Coated precision-cast aluminium with vented design
- CE, FCC, EMC, EU, ISO certified

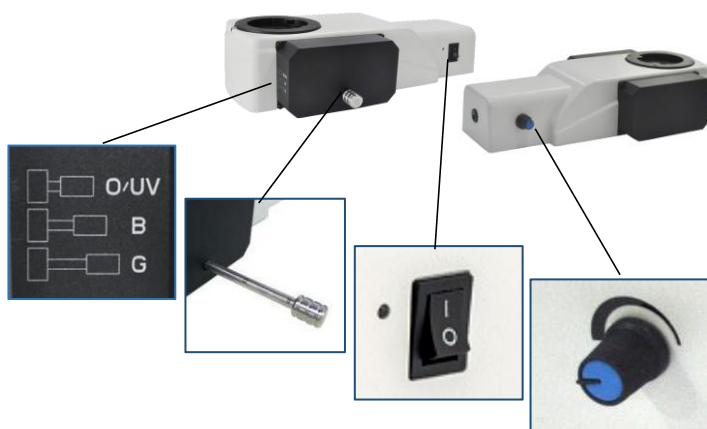
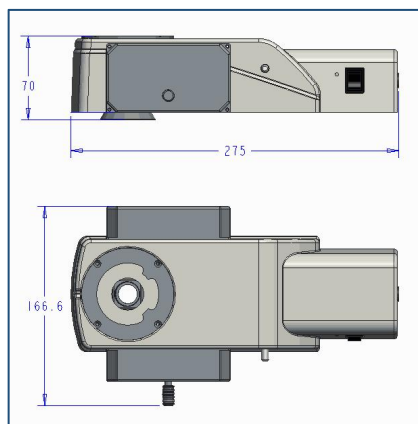
### Applications:

- Botany
- Clinical diagnose
- Immunoofluorescence
- Tuberculosis sputum slide
- Skin and foot fungus
- Food microorganism
- Respiratory disease
- Sperm analysis
- Fluorochrome stained slide

### Compatible with different brands microscope



## Dimension



## With light barrier

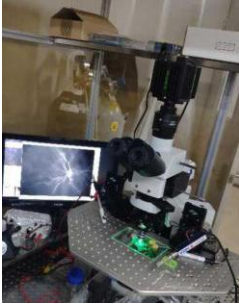


| Items      | LED lamps          | Filter Groups      | Compatible microscopes  |
|------------|--------------------|--------------------|---|
| MF-B-LED   | Blue               | Blue               | Olympus CX/BX<br>Nikon Eclips/E100/E200/Ci-L<br>Leica DM500/DM750/DM1000<br>Zeiss PrimoStar /A1<br>Sunny EX30<br>Motic BA310/Panthera C |
| MF-RB-LED  | Royal blue         | Royal blue         |   |
| MF-G-LED   | Green              | Green              |   |
| MF-UV-LED  | UV                 | UV                 |   |
| MF-BG-LED  | Blue and Green     | Blue and Green     |   |
| MF-BU-LED  | Blue and UV        | Blue and UV        |   |
| MF-BGU-LED | Blue, green and UV | Blue, green and UV |   |

## Specification

| LED lamp             |                    | Filter wavelength   |                 |                 | Recommend Application  |
|----------------------|--------------------|---|-----------------|-----------------|--|
| Color                | Central wavelength | Excitation  | Dichroic mirror | Emission        |  |
| Blue                 | 475nm              | 475/40nm  | >500nm          | 535/45nm        | GFP / FITC / EGFP/ Malaria diagnostic/ Alexa 488 / Cy2@ / Fluo-4 / FluorX@ / Fluoro-Jade |
| Royal blue           | 450nm              | 420-480nm   | >500nm          | 510nmLP         | Tuberculosis Diagnostic  |
| Green                | 530nm              | 525/45nm  | >560nm          | 595/60nm        | PI / EB / EH   |
|                      | 560nm              | 560/40nm  | >600nm          | 610nmLP         | mCherry / Texas Red / AlexaFluor 594   |
| UV                   | 360nm              | 330-380nm   | >400nm          | 420nmLP         | DAPI / Hoechst 33342&33258 / AMCA/AMCA-X / Alexa 350                                     |
| <b>Light source</b>  |                    | At least 3W LED cold lamp for each filter group                               |                 |                 |  |
| <b>Observation</b>   |                    | Fluorescence<br>Bright field & phase contrast by microscope original lighting |                 |                 |  |
| <b>Operation</b>     |                    | Lever : B, G, UV/O (bright field)   |                 |                 |  |
| <b>Power control</b> |                    | Rota-table knob, continuously adjustable brightness                           |                 |                 |  |
| <b>Input power</b>   |                    | 12V 2A  |                 |                 |  |
| <b>Shell</b>         |                    | High rigid precision-cast aluminium with coating                              |                 |                 |  |
| <b>Light baffle</b>  |                    | Orange color plastic light baffle   |                 |                 |  |
| <b>Remark*</b>       |                    | Single excitation mode are long pass filter                                   |                 |                 |  |
| Optional Filters     |                    |   |                 |                 |  |
| Color                | Type               | Excitation filter   | Dichroic mirror | Emission filter | Remark   |
| Blue                 | Long-pass          | 480/40nm  | 505nmLP         | 510nmLP         | Chroma filters are optional  |
| Green                | Long-pass          | 530/40nm  | 570nmLP         | 590nmLP         |  |
|                      | Band-pass          | 560/40nm  | 600nmLP         | 635/60nm        |  |
| UV                   | Band-pass          | 350/50nm  | >400nm          | 460/50nm        |  |

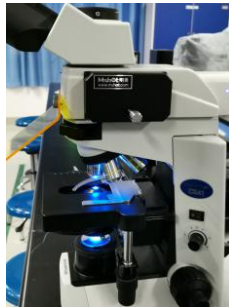
## Cases



Olympus BX51



Olympus CX43



Olympus CX41



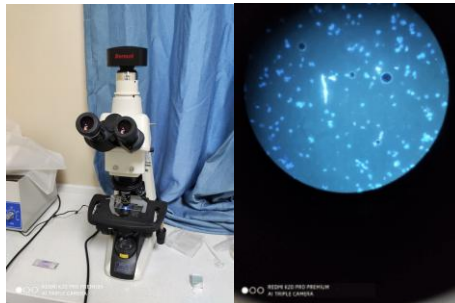
Olympus CX33



Olympus CX23



Nikon CiL



Nikon E200



Leica DM2000



Leica DM750



Leica DM500



Zeiss A1



PrimoStar

## Sample images

